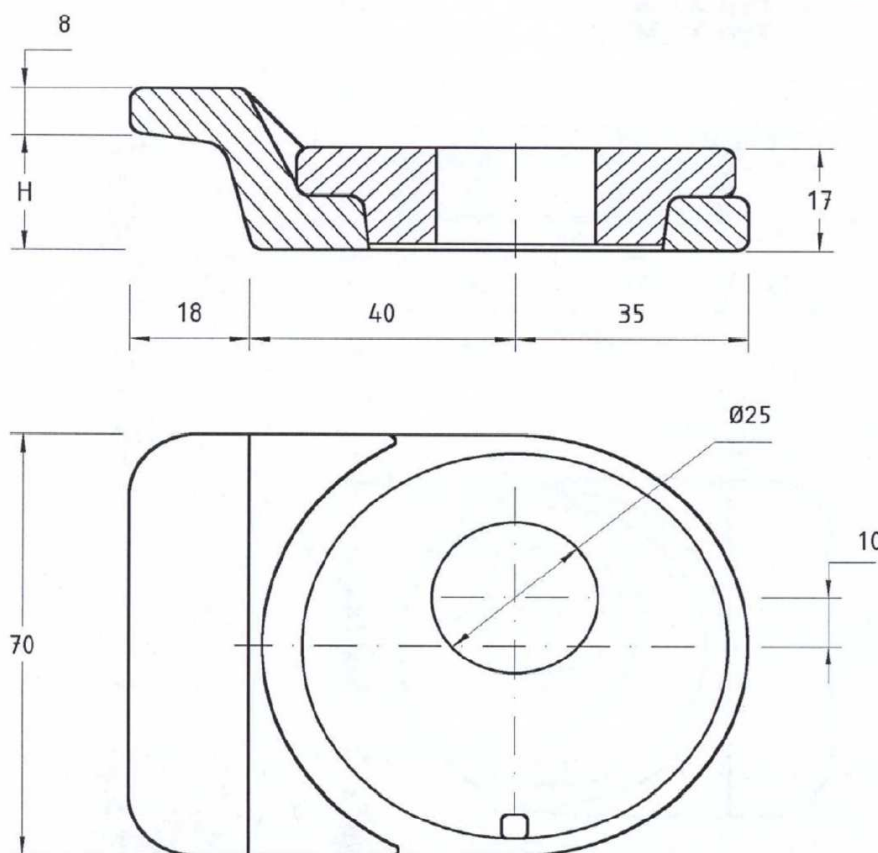




MX – laterally adjustable rail fastening (screw) system

Catalogue sheet
Type series: MX xx24

Typ 4 MX 1824 : H = 18 mm
Typ 5 MX 2124 : H = 21 mm
Typ 6 MX 2424 : H = 24 mm



Set:	- lead part	Fp1824	wseight:	0,374 kg
		Fp2124	weight:	0,397 kg
		Fp2424	weight:	0.422 kg
	- press part	Drp24	weight:	0,220 kg

Adjustable: 18 mm