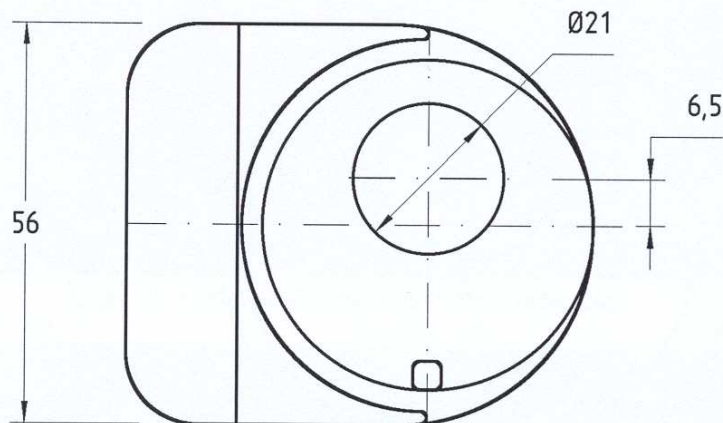
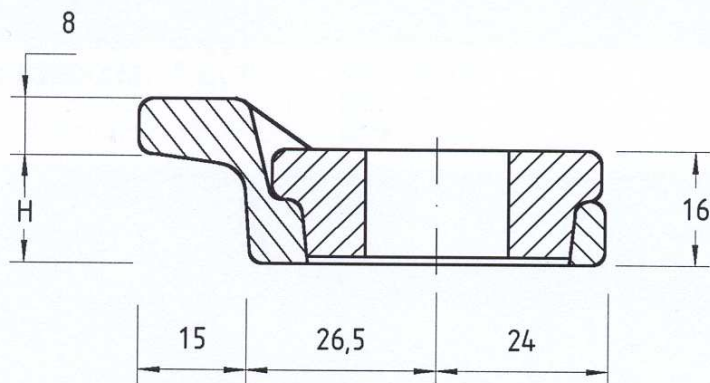




## MX – laterally adjustable rail fastening (screw) system

Catalogue sheet  
Type series: MX xx20

Typ 1	MX 1520	: H = 15 mm
Typ 2	MX 1820	: H = 18 mm
Typ 3	MX 2120	: H = 21 mm



Set:	- lead part	typ Fp1520	weight:	0,185 kg
	- press part	typ Drp20	weight:	0,118 kg

Adjustable: 13 mm