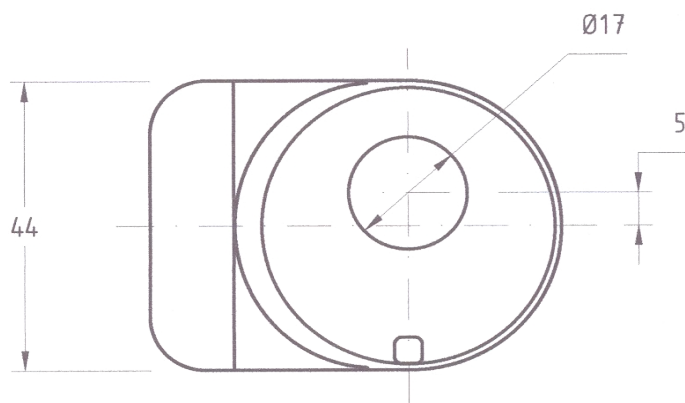
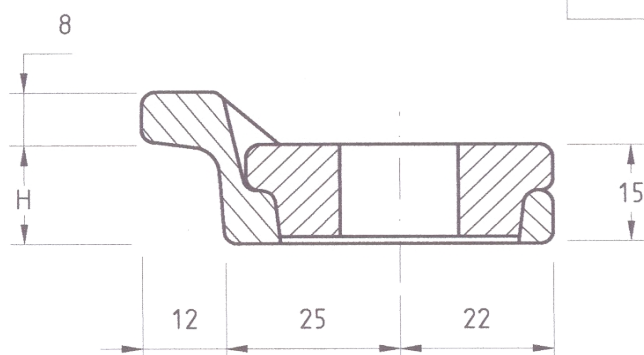




MX – laterally adjustable rail fastening (screw) system

Catalogue sheet
Type series: MX xx16

Typ 1 MX 1316 : H = 13 mm
Typ 2 MX 1516 : H = 15 mm



Sestava:	- lead part	Fp1316	weight:	0,097 kg
		Fp1516	weight:	0,114 kg
	- press part	Drp16	weight:	0,092 kg

Adjustable: 10 mm