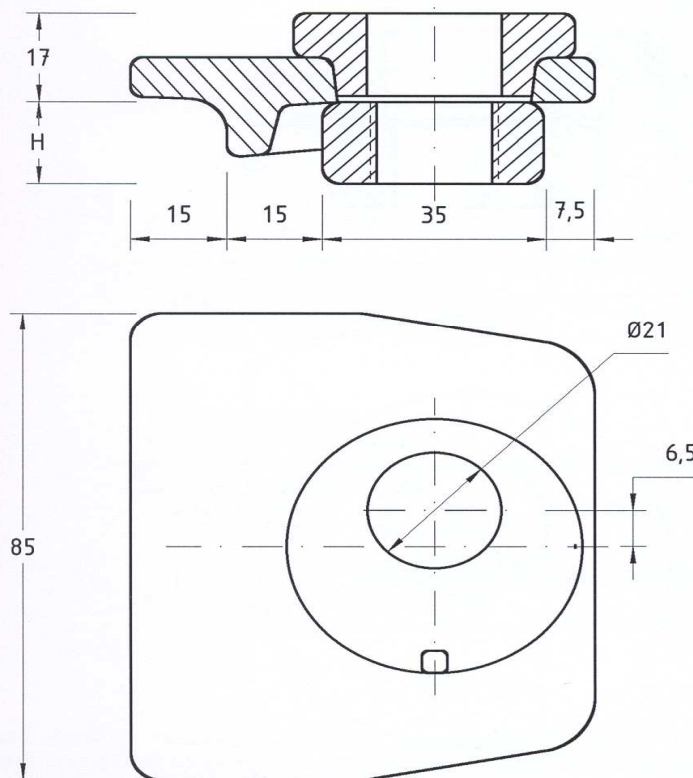




## MX – laterally adjustable rail fastening (welding) system

Catalogue sheet  
Type series: MXA xx120

Typ 1	MXA 15120	: H = 15 mm
Typ 2	MXA 18120	: H = 18 mm
Typ 3	MXA 21120	: H = 21 mm



Set:	- lead part	FpA120	weight:	0,392 kg
	- press part	Drp20	weight:	0,115 kg
	- welding part	GpA15120	weight:	0,168 kg
		GpA18120	weight:	0,259 kg

Adjustable: 13 mm