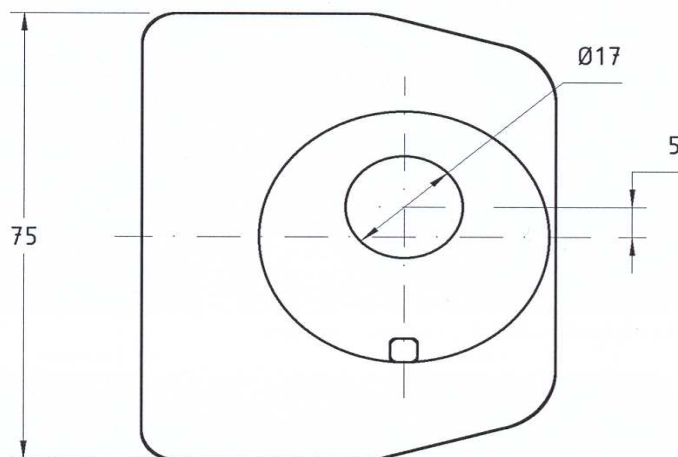
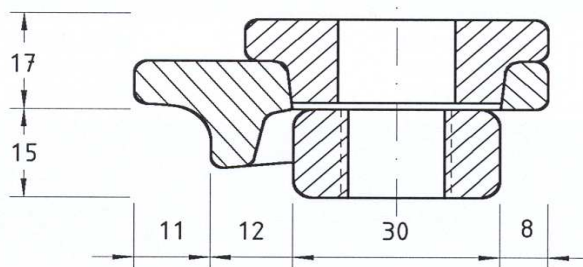




MX – laterally adjustable rail fastening (welding) system

Catalogue sheet
Type series: MXA 15116

Typ 1 MXA 15116 : H = 15 mm



Sestava:	- lead part	FpA116	weight:	0,255 kg
	- press part	Drp20	weight:	0,115 kg
	- welding part	GpA15116	weight:	0,128 kg

Adjustable: 10 mm