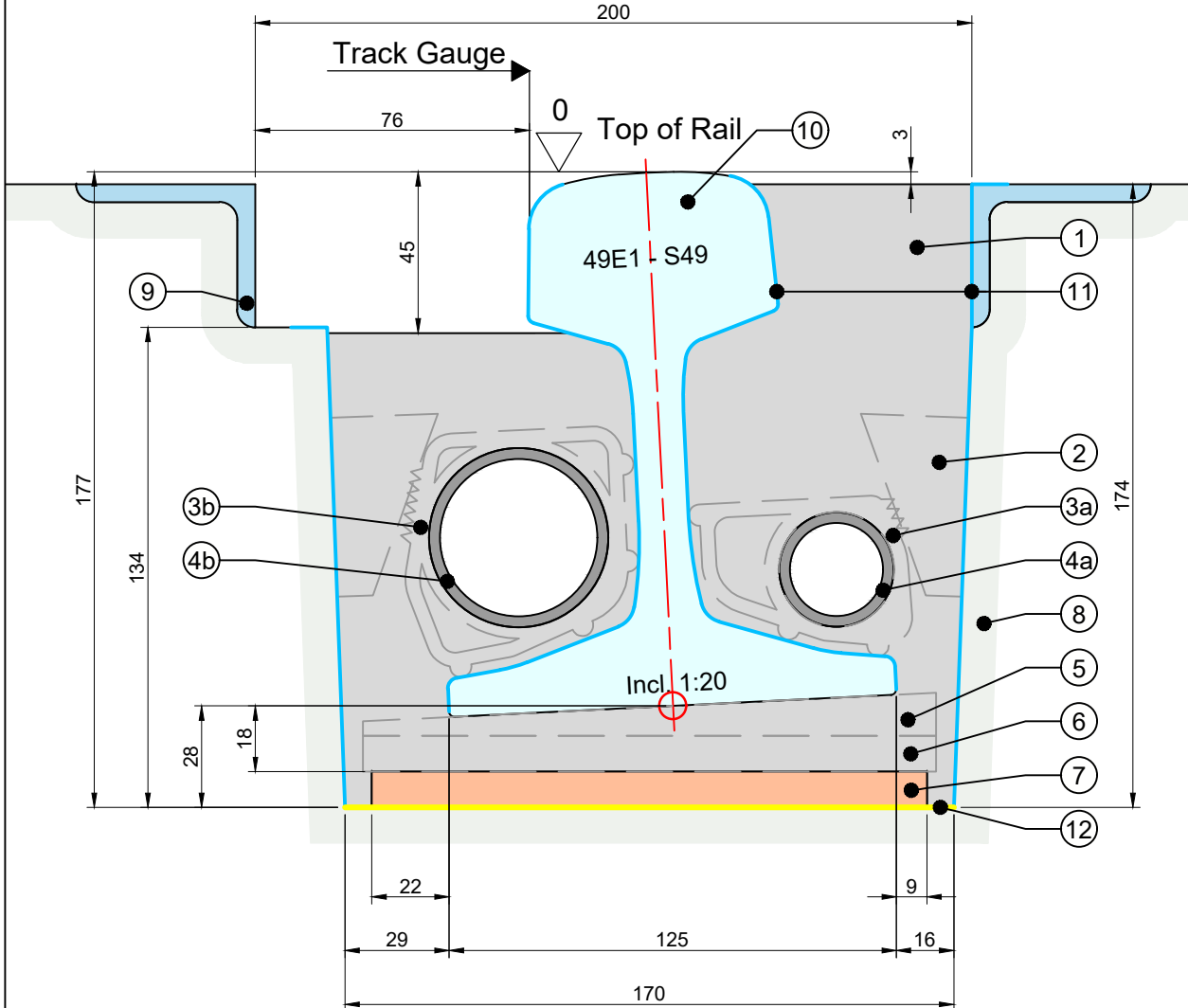


# System Cross-section (1 : 2)

# LEGEND



- ① edilon)(sedra Corkelast®
- ② edilon)(sedra ERS Cork Wedge
- ③ edilon)(sedra ERS Spacer
- ④ edilon)(sedra ERS PVC Tube
- ⑤ edilon)(sedra ERS Polymer Inclination Shim
- ⑥ edilon)(sedra ERS Polymer Shims
- ⑦ edilon)(sedra Trackelast®RS/RPU
- ⑧ Channel
- ⑨ Steel profile
- ⑩ Rail
- ⑪ edilon)(sedra Primer
- ⑫ edilon)(sedra Dex®-G

Channel dimensions according to client specifications

REVISION HISTORY					
REV.	DATE	DESCRIPTION	DESIGNER	CHECKED	APPROVED
00	17-07-2020	creation drawing	JvdA	-	AdM
-	-	-	-	-	-
-	-	-	-	-	-
-	-	-	-	-	-
-	-	-	-	-	-
-	-	-	-	-	-
-	-	-	-	-	-
-	-	-	-	-	-
-	-	-	-	-	-
-	-	-	-	-	-

**edilon)(sedra**

Nijverheidsweg 23, 2031 CN Haarlem  
 PO Box 1000, 2003 RZ Haarlem, Holland  
 Phone : + 31 23 5319519  
 Site : www.edilonsedra.com

This drawing has Copyright which is owned by edilon)(sedra and may not be reproduced in whole or part in any form whatsoever without prior written authority from edilon)(sedra.

PROJECTION:

PROJECT: edilon)(sedra Corkelast® ERS Ortec, CZ

TITLE: edilon)(sedra Corkelast® ERS HR 49E1-MS 1:20 system

SHEET SIZE: A4L

UNITS: mm

STATUS: PRELIMINARY DESIGN		DRAWING NUMBER: S20060 - ESK - DRW - 001 _ 00	TYPE: CD	SHEET: 1/1
----------------------------	--	---	----------	------------